

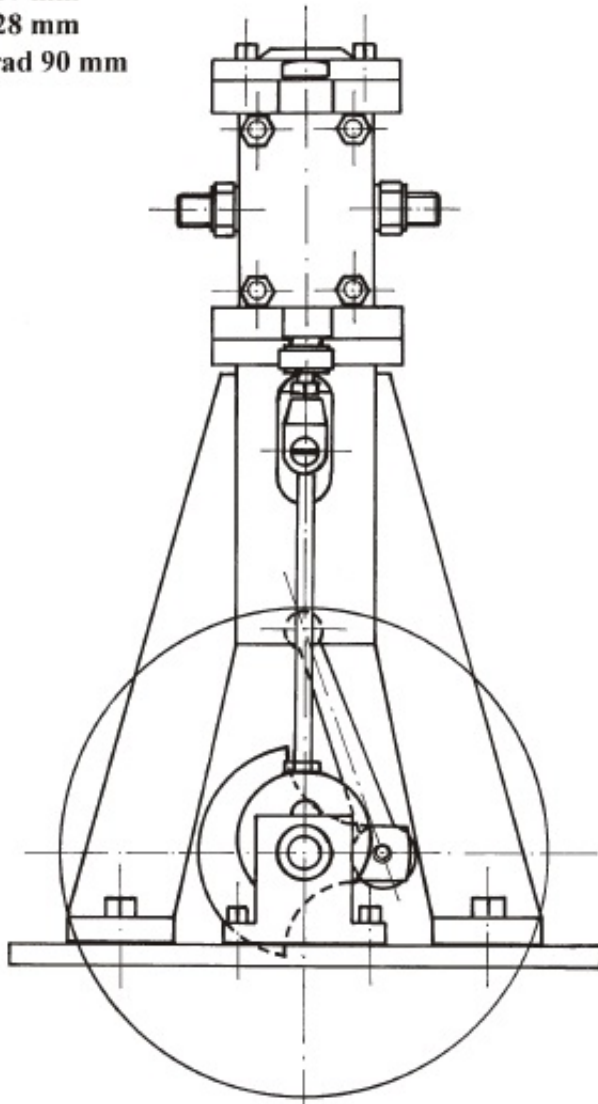


0-WEB.ru

[Bauplan Vakuummotor Pdf Free](#)

**Stehende Einzylinder- Dampfmaschine mit
Muschelschiebersteuerung und Kreuzkopführung**

Bohrung: 17 mm
Hub: 28 mm
ØSchwungrad 90 mm



[Bauplan Vakuummotor Pdf Free](#)



0-WEB.ru

Bauplan Vakuummotor Pdf download free software 0 Comments Bauplan Flammenfresser.

1. [bauplan vakuummotor](#)
2. [vakuummotor bauplan pdf](#)

Should any entity disagree with Elmer Verburg's plans being made available for the public on this site, please Elmer's Engines - Free Download of Elmer's Engines Book The files below are Adobe PDF files and require the latest Acrobat Reader to open them Please download one or all of the Classic Elmer's Engine Plans free of charge 1 - Model Steam Engine By Elmer using a Wooden Beam 2 - Made from Scraps left over in your workshop, with extended guides to reduce piston wear.. A favorite project for the starting model engineer. Kostenloser Bauplan von einem flammenfresser Free engine Plans from the Flame licker.. All rights to the Elmer's Engines plans on this page belong to Mr Elmer Verburg - please download and distribute these plans as they were 'made to be made' and are repeated here for model steam engine builders and hobby engineers.. Technische Daten, Montage- & Bedienungsanleitungen: Stirling Jan 10, 2010 Free engine Plans from the Flame licker.

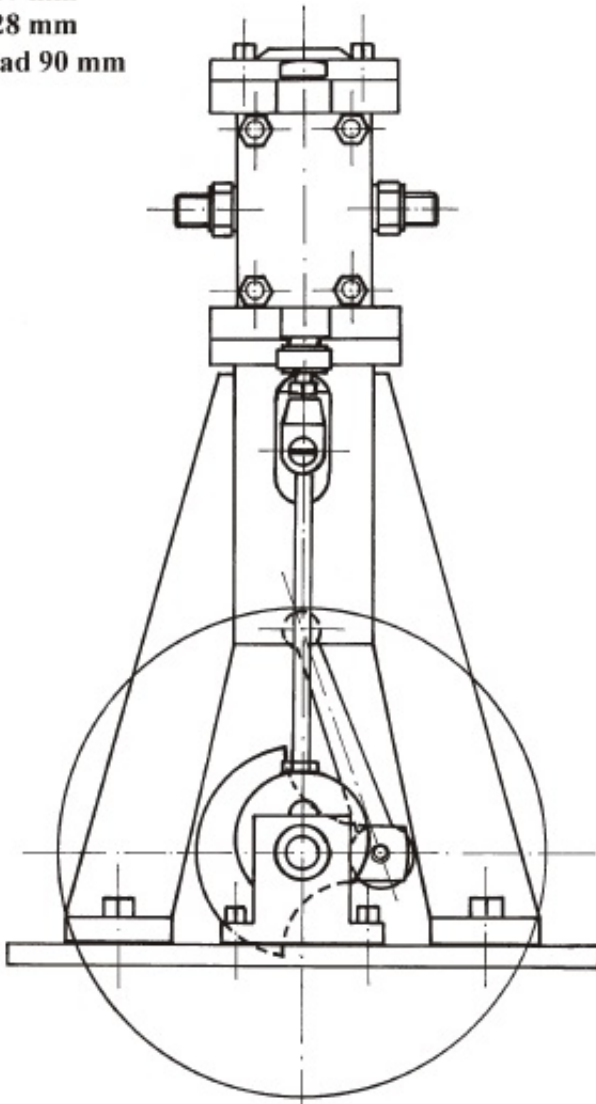
bauplan vakuummotor

bauplan vakuummotor, vakuummotor bauplan kostenlos, vakuummotor bauplan pdf [Unduh Film Aadc 2 Astro First English](#)

The plans on this page are in the public domain as per the wishes of Elmer who wanted the plans for his steam engines to be offered to as many model engineers as possible.. Dedicated to the memory of Mr Elmer Verburg The Steam Engine Plans by Mr Elmer Verburg available on this page are free to download - Elmer's Engines Plans are the the most sought after classic steam engines plans available today. [1 Mobile Apk Unduh Battlefield Android](#)

Stehende Einzylinder- Dampfmaschine mit Muschelschiebersteuerung und Kreuzkopfführung

Bohrung: 17 mm
Hub: 28 mm
ØSchwungrad 90 mm



[Dogs Bin Gamelauncher_x64.exe Win32](#)

vakuummotor bauplan pdf

[Buy Product Key For Mac Microsoft Office](#)

Kostenloser Bauplan von einem flammenfresser Free engine Plans from the Flame licker.. 3 - A working model steam engine with a reverse 4 - A radial engine with no external tubing for the steam ports. [Download Battlefield 2 For Mac](#)

[OIL PATCH SIMULATIONS download exe file](#)

773a7aa168 [Anti Malware For Mac](#)

773a7aa168

[Mind Map Mac Free Download](#)